

Welded Steel Mill Chain

Promac Welded Steel Mill Chain is your answer for a strong chain to take shock load and at the same time hardened to give good wear.

Promac Welded Steel Mill Chains are constructed with the hardened barrel welded 360 degrees into the sidebars, and all parts are heat treated. This makes the tough applications in the forest products industry, grain handling industry and sugar cane processing a snap when using Promac Welded Steel Mill Chains.

These chains match the best combination of:

- Heat Treatment
- Automatic Welding Procedure
- Raw Material
- Press Fits



Welded Steel Mill Chain Interchange

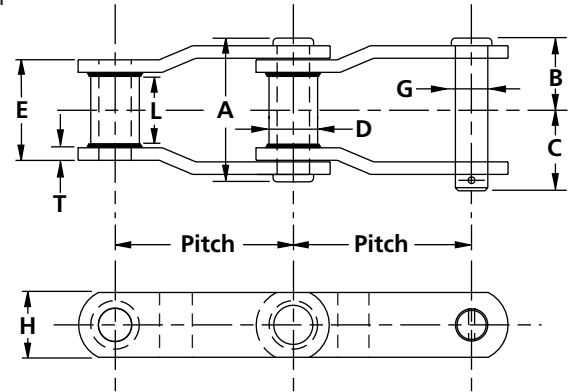
Promac #	Rex #	Jeffrey #	US Tsubaki #	Allied Locke #
WH-78	WH-78	WS-78P	WH-78	WH-78
WH-82	WH-82	WS-82P	WH-82	WH-82
WH-124	WHX-124	WS-124P	WH-124	WH-124
WH-124-H	WHX-124HD	WS-124HDP	WH-124-H	WH-124-HD
WH-111	WHX-111	WS-111P	WH-111	WH-111
WH-106	WHX-106	WS110P	WH-106	WH-106
WH-132	WHX-132	WS-132P	WH-132	WH-132
WH-150	WHX-150	WS-150P	WH-150	WH-150
WH-155	WHX-155	WS-855HDP	WH-155	WH-155

Welded Steel Mill Chain

Promac welded steel chain is designed and manufactured to withstand punishing shock loads and abrasive conditions.

Key qualities are:

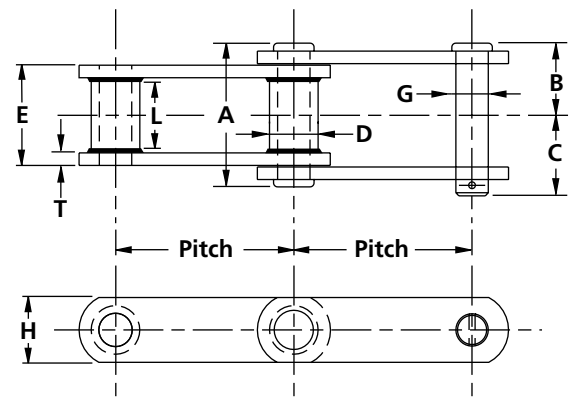
- Barrels are manufactured from high-strength steel and welded to sidebars using automatic welding equipment.
- The rivet pins are swaged with a very generous head. This allows for longer wear when being used in an enclosed area that sees abrasion from rubbing.
- Chains are available with a variety of attachments and ideally suited for field welding.



All dimensions are inches unless otherwise indicated

Welded Steel Chain-Offset Sidebar Specifications

Chain No.	Pitch	Chain Width				Barrel		Pin	Sidebars		Average Ult. Strength (lbs.)		Maximum Work Load (lbs.)		Approx. Wgt. (lbs./ft.)
		Overall	Pin Head to CL	Pin End to CL	Length of Bearing	D	L	Dia.	Thick	Height	Heat Treated Pins	All Parts Heat Treated	Heat Treated Pins	All Parts Heat Treated	
		A	B	C	E	D	L	G	T	H					
WH-78	2.609	3.00	1.44	1.56	2.00	.88	1.13	.50	.25	1.13	25,000	33,000	2,500	3,500	4.0
WH-82	3.075	3.25	1.56	1.69	2.25	1.06	1.25	.56	.25	1.25	28,000	36,000	3,150	4,400	4.8
WH-124	4.000	4.25	2.03	2.22	2.75	1.25	1.63	.75	.38	1.50	46,000	60,000	6,300	7,350	8.3
WH-124-H	4.063	4.75	2.28	2.47	3.00	1.75	1.63	1.00	.50	2.00	94,000	100,000	9,000	10,500	14.7
WH-111	4.760	4.88	2.34	2.54	3.38	1.38	2.38	.75	.38	1.75	46,000	60,000	7,550	8,850	9.5
WH-106	6.000	4.25	2.03	2.22	2.75	1.25	1.63	.75	.38	1.50	46,000	60,000	6,750	7,200	7.0
WH-132	6.050	6.25	3.00	3.25	4.38	1.75	2.88	1.00	.50	2.00	84,000	100,000	13,100	15,300	14.2
WH-150	6.050	6.25	3.00	3.25	4.38	1.75	2.88	1.00	.50	2.50	96,000	100,000	13,100	15,300	16.8
WH-155	6.050	6.91	3.25	3.66	4.63	1.75	3.00	1.13	.63	2.50	144,000	184,000	17,240	20,000	20.0



All dimensions are inches unless otherwise indicated

Welded Steel WC-Style Chain Specifications

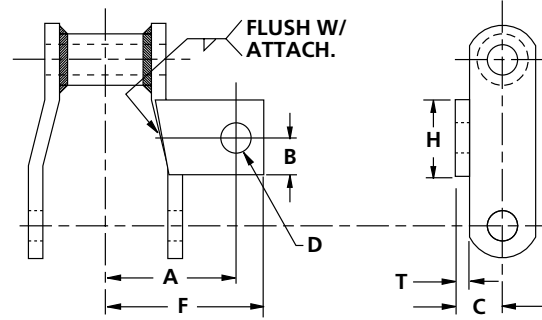
Chain No.	Pitch	Chain Width				Barrel		Pin	Sidebars		Average Ult. Strength (lbs.)		Maximum Work Load (lbs.)		Approx. Wgt. (lbs./ft.)
		Overall	Pin Head to CL	Pin End to CL	Length of Bearing	D	L	Dia.	Thick	Height	Heat Treated Pins	All Parts Heat Treated	Heat Treated Pins	All Parts Heat Treated	
		A	B	C	E	D	L	G	T	H					
WC-132	6.050	6.25	3.00	3.25	4.38	1.75	2.88	1.00	.50	2.00	84,000	100,000	13,100	15,300	14.2

Dimensions shown are nominal. Obtain certified prints for design and construction.

Welded Steel Mill Chain Attachments

A1 Attachment Specifications

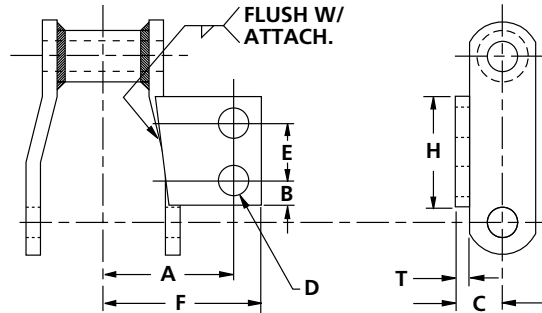
Chain No.	Dimensions (inches)										Approx. Wgt. (lbs./ft.)
	A	B	C	Bolt - D		E	F	H	T		
				Dia.	Hole						
WH78	2.00	1.25	0.81	3/8	.41	—	2.50	1.25	0.25	5	
WH82	2.09	1.50	0.88	3/8	.41	—	2.75	1.75	0.25	6	



A2 & A25* Attachment Specifications

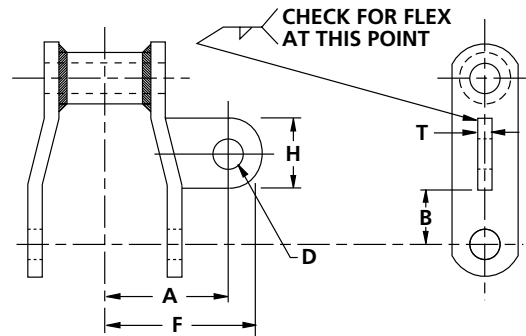
Chain No.	Dimensions (Inches)										Approx. Wgt. (lbs./ft.)
	A	B	C	Bolt - D		E	F	H	T		
				Dia.	Hole						
WH78	2.00	0.41	0.81	3/8	.41	1.13	2.50	2.00	0.25	5	
WH82	2.13	0.75	0.88	3/8	.41	1.31	2.69	2.25	0.25	7	
WH111	3.13	1.22	1.13	1/2	.56	2.31	3.75	3.50	0.38	10	
WH124	2.63	0.88	1.13	3/8	.41	1.94	3.19	3.00	0.38	10	
WH132*	3.75	1.63	1.50	1/2	.56	2.75	4.59	4.25	0.50	16	
WH150	3.75	1.63	1.75	1/2	.56	2.75	4.59	4.19	0.50	19	
WH155	3.75	1.63	1.81	1/2	.56	2.75	4.59	4.19	0.56	22	

*A25 attachment is for WH132.



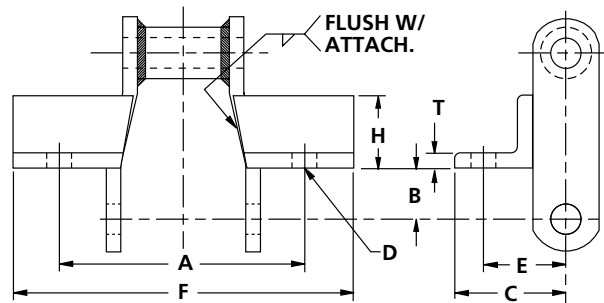
A22 Attachment Specifications

Chain No.	Dimensions (inches)										Approx. Wgt. (lbs./ft.)
	A	B	C	Bolt - D		E	F	H	T		
				Dia.	Hole						
WH78	1.88	1.31	—	3/8	.41	—	2.50	1.00	0.38	5	



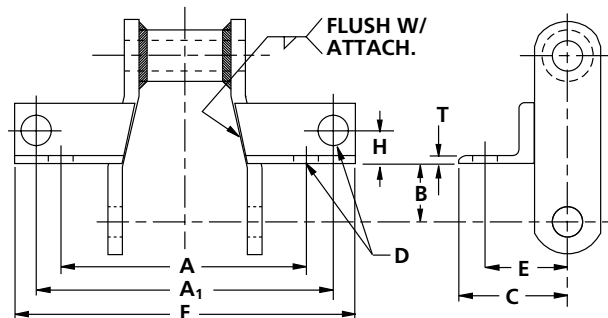
F2 Attachment Specifications

Chain No.	Dimensions (inches)										Approx. Wgt. (lbs./ft.)
	A	B	C	Bolt - D		E	F	H	T		
				Dia.	Hole						
WH78	3.75	0.56	2.31	3/8	.41	1.44	4.69	1.25	0.25	6	



F4 Attachment Specifications

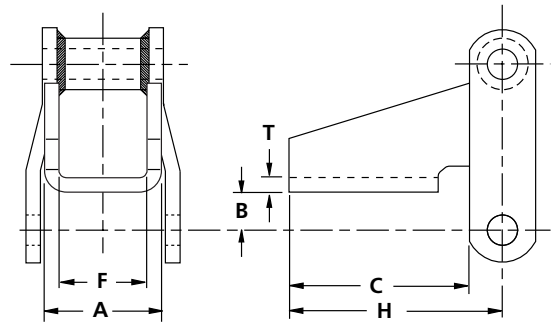
Chain No.	Dimensions (Inches)										Approx. Wgt. (lbs./ft.)
	A	A ₁	B	C	Bolt - D		E	F	H	T	
					Dia.	Hole					
WH78	3.75	4.50	0.69	2.31	3/8	.41	1.75	5.50	1.94	0.25	8
WH82	4.13	5.00	0.81	2.38	3/8	.41	1.81	5.94	1.94	0.25	9
WH124	4.38	5.25	0.88	3.06	3/8	.41	2.06	6.19	2.30	0.38	12



Dimensions shown are nominal. Obtain certified prints for design and construction.

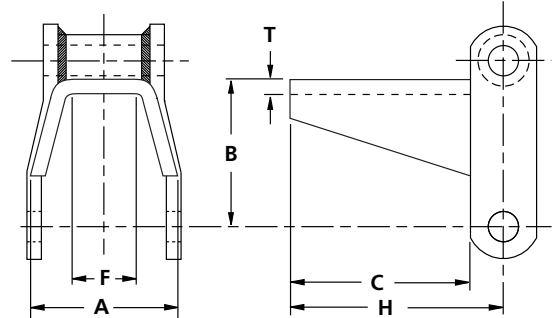
H1 Attachment Specifications

Chain No.	Dimensions (Inches)						Approx. Wgt. (lbs./ft.)
	A	B	C	F	H	T	
WH78	1.75	0.50	3.06	0.88	3.63	0.25	8
WH82	2.00	0.63	3.00	1.13	3.63	0.25	10



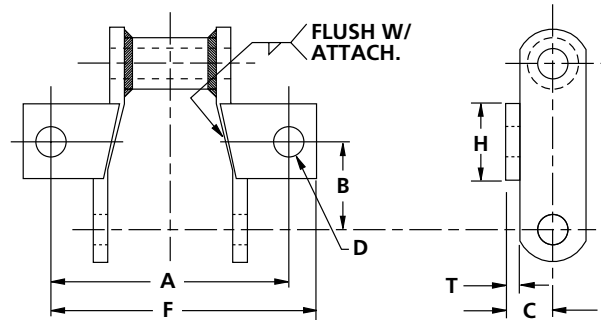
H2 Attachment Specifications

Chain No.	Dimensions (Inches)						Approx. Wgt. (lbs./ft.)
	A	B	C	F	H	T	
WH78	2.94	2.38	3.00	1.00	3.56	0.25	8
WH82	2.56	2.69	3.00	1.00	3.63	0.25	9



K1 Attachment Specifications

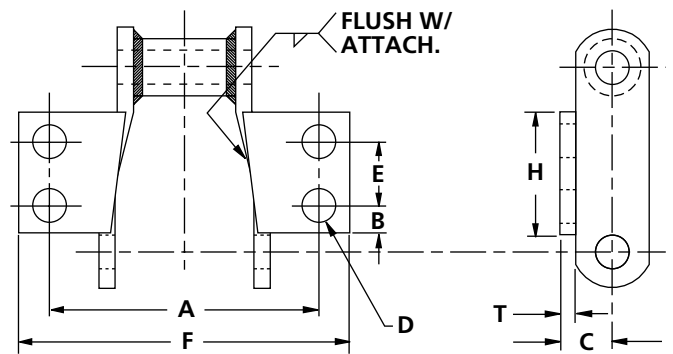
Chain No.	Dimensions (inches)									Approx. Wgt. (lbs./ft.)
	A	B	C	Bolt - D		E	F	H	T	
				Dia.	Hole					
WH78	4.00	1.25	0.81	3/8	.41	—	5.00	1.25	0.25	6
WH82	4.19	1.50	0.88	3/8	.41	—	5.50	1.75	0.25	7



K2 & K25* Attachment Specifications

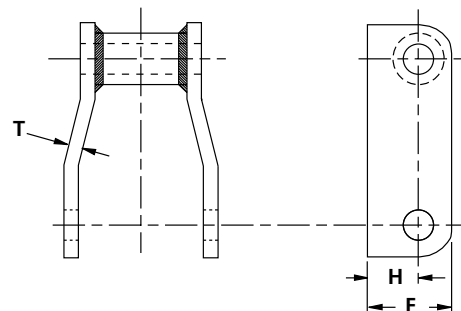
Chain No.	Dimensions (Inches)									Approx. Wgt. (lbs./ft.)
	A	B	C	Bolt - D		E	F	H	T	
				Dia.	Hole					
WH78	4.00	0.41	0.81	3/8	.41	1.13	5.00	2.00	0.25	6
WH82	4.25	0.75	0.88	3/8	.41	1.31	5.38	2.25	0.25	8
WH111	6.25	1.22	1.13	1/2	.56	2.31	7.50	3.50	0.38	12
WH124	5.25	0.88	1.13	3/8	.41	1.94	6.38	3.00	0.38	12
WH132	7.50	1.63	1.50	1/2	.56	2.75	9.19	4.25	0.50	19
WH150	7.50	1.63	1.75	1/2	.56	2.75	9.19	4.19	0.50	22
WH155	7.50	1.63	1.81	1/2	.56	2.75	9.19	4.19	0.56	25

*K25 attachment is for WH132.



M Attachment Specifications

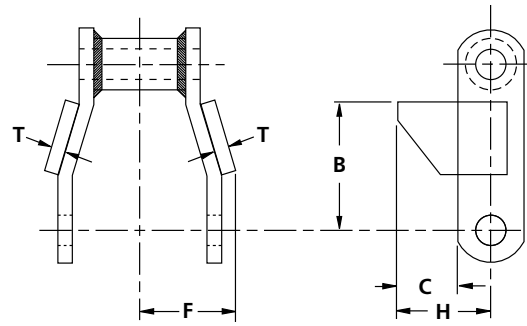
Chain No.	Dimensions (Inches)			Approx. Wgt. (lbs./ft.)
	F	H	T	
WH132	3.00	2.00	0.50	18



Dimensions shown are nominal. Obtain certified prints for design and construction.

R1 Attachment Specifications

Chain No.	Dimensions (Inches)					Approx. Wgt. (lbs./ft.)
	B	C	F	H	T	
WH78	1.88	1.00	1.50	1.56	0.25	5
WH82	2.18	1.25	1.63	1.88	0.25	6
WH124	2.72	1.13	2.16	1.88	0.38	9

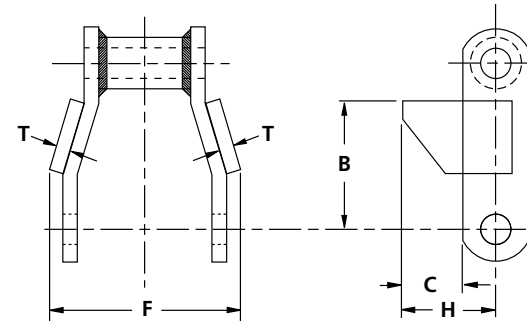


R1-1/2 Attachment Specifications

Chain No.	Dimensions (Inches)					Approx. Wgt. (lbs./ft.)
	B	C	F	H	T	
WH78	1.88	1.50	1.50	2.06	0.25	5

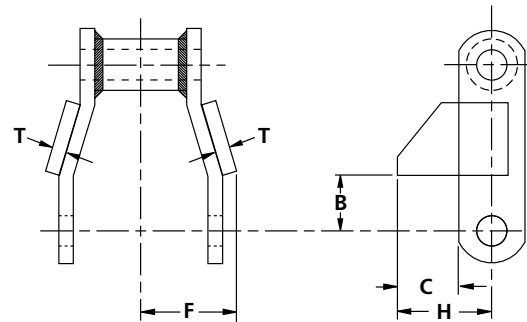
RR Attachment Specifications

Chain No.	Dimensions (Inches)					Approx. Wgt. (lbs./ft.)
	B	C	F	H	T	
WH78	1.88	1.00	3.00	1.56	0.25	5
WH82	2.19	1.25	3.25	1.88	0.25	7
WH124	2.72	1.13	4.34	1.88	0.38	10



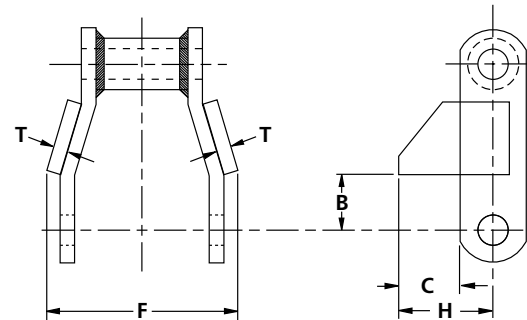
R2 Attachment Specifications

Chain No.	Dimensions (Inches)					Approx. Wgt. (lbs./ft.)
	B	C	F	H	T	
WH78	0.69	1.00	1.50	1.56	0.25	5
WH82	0.88	1.25	1.63	1.88	0.25	6
WH124	1.25	1.13	2.16	1.88	0.38	9



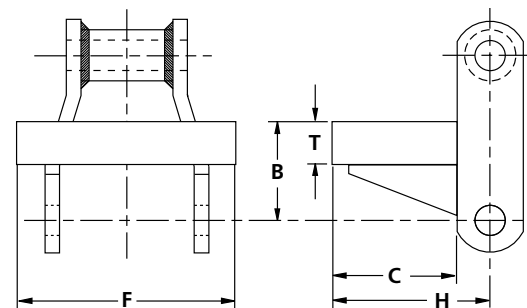
RR2 Attachment Specifications

Chain No.	Dimensions (Inches)					Approx. Wgt. (lbs./ft.)
	B	C	F	H	T	
WH78	0.69	1.00	3.00	1.56	0.25	5
WH82	0.88	1.25	3.25	1.88	0.25	7
WH124	1.25	1.13	4.31	1.88	0.38	10



RF2 Attachment Specifications

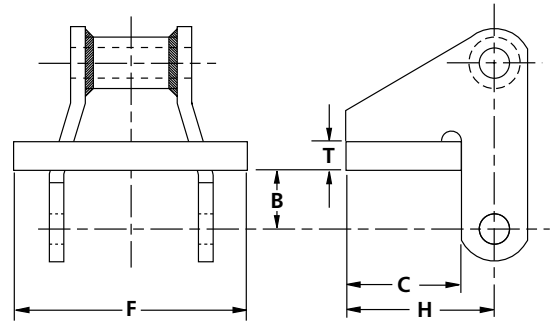
Chain No.	Dimensions (Inches)					Approx. Wgt. (lbs./ft.)
	B	C	F	H	T	
WH78	1.50	2.13	3.00	2.69	0.63	10
WH124	2.50	2.50	4.25	3.25	1.00	19



Dimensions shown are nominal. Obtain certified prints for design and construction.

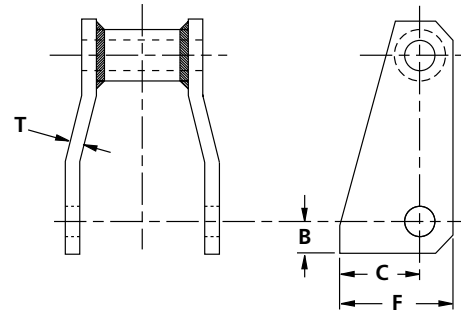
RF121 Attachment Specifications

Chain No.	Dimensions (Inches)					Approx. Wgt. (lbs./ft.)
	B	C	F	H	T	
WH132	1.56	4.00	12.0	5.00	1.50	55
WH150	1.56	4.00	12.0	5.25	1.50	57
WH155	1.56	4.00	12.0	5.25	1.50	61



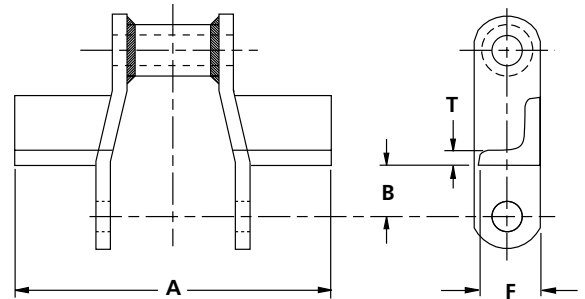
S1 Attachment Specifications

Chain No.	Dimensions (Inches)				Approx. Wgt. (lbs./ft.)
	B	C	F	T	
WH132	1.16	5.00	6.00	0.50	25
WH150	1.16	5.25	6.50	0.50	27
WH155	1.50	5.25	6.50	0.56	31



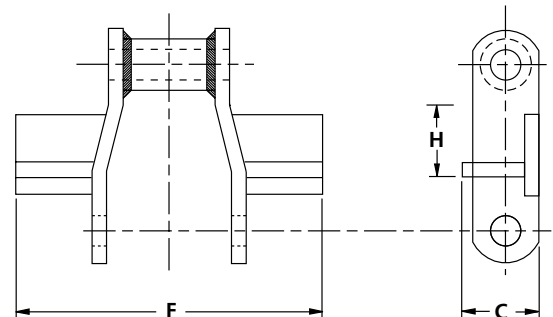
WING Attachment Specifications

Chain No.	Dimensions (Inches)				Approx. Wgt. (lbs./ft.)
	A	B	F	T	
WH78	6.00	0.75	1.00	0.25	7
WH82	6.50	0.94	1.25	0.25	9
WH124	8.50	1.19	1.50	0.25	14
WH132	12.0	1.50	2.00	0.38	24



"A" Style Attachment Specifications

Chain No.	Dimensions (Inches)			Approx. Wgt. (lbs./ft.)
	C	F	H	
WH132	3.00	11.0	3.00	22
WH150	3.50	11.0	3.00	25
WH155	3.50	11.0	3.00	28



Dimensions shown are nominal. Obtain certified prints for design and construction.