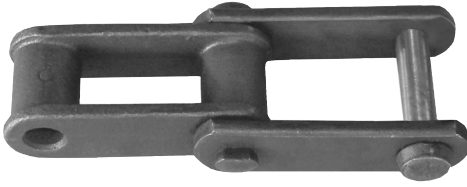


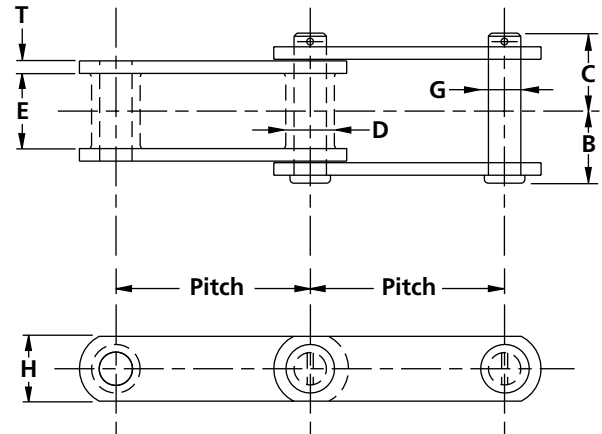
Cast Combination Plain Chain



Promac cast combination chain is designed to work in tough and abrasive environments at a moderate cost.

Key qualities are:

- Pearlitic malleable iron is used for block link wear resistance and provides balance toughness.
- Pins are made of selected steel and heat treated to achieve superior strength.
- Assembled with high interference fit and consistent set down for greater fatigue strength and dimension integrity.



Cast Combination Chain Specifications

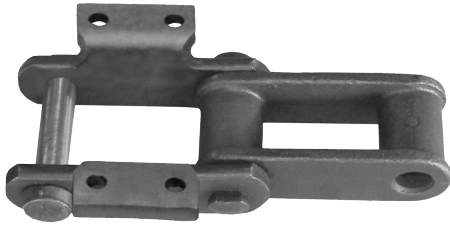
All dimensions are inches unless otherwise indicated

Chain Number	Average Ultimate Strength	Working Load	Pitch	Links in Approx. 10 ft.	Dimensions							Approx. Weight (lbs./ft.)
					Pin Head to CL	Pin End to CL	Maximum Allowable Sprocket Face	Pin Dia	Sidebar Height	Sidebar Thick	Barrel Dia Size	
					B	C	E	G	H	T	D	
C-188	17,500	2,340	2.609	46	1.34	1.44	.94	.50	1.13	.25	.88	3.6
C-131	30,000	3,750	3.075	40	1.81	1.88	1.13	.63	1.50	.38	1.25	6.5
C-102B	30,000	5,000	4.000	30	2.19	2.30	2.00	.63	1.50	.38	1.00	6.8
C-111	45,000	7,500	4.760	26	2.59	2.66	2.38	.75	1.75	.38	1.44	9.8
C-110	30,000	5,000	6.000	20	2.19	2.30	1.94	.63	1.50	.38	1.25	6.0
C-132	62,500	10,400	6.050	20	3.22	3.16	3.13	1.00	2.00	.50	1.75	14.5

Dimensions shown are nominal. Obtain certified prints for design and construction.

Cast Combination Chain

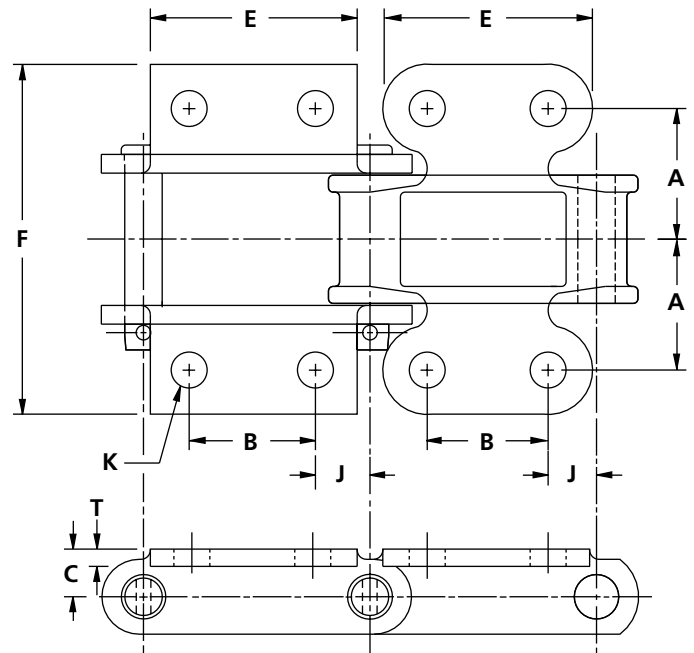
K-2 Attachment



Promac cast combination chain is designed to work in tough and abrasive environments at a moderate cost.

Key qualities are:

- Pearlitic malleable iron is used for block link wear resistance and provides balance toughness.
- Pins are made of selected steel and heat treated to achieve superior strength.
- Assembled with high interference fit and consistent set down for greater fatigue strength and dimension integrity.



K-2 Attachment Specifications

All dimensions are inches unless otherwise indicated

Attachment Number	Chain Number	Pitch	Dimensions							Bolt Diameter K	Approx. Weight (lbs./ft.) ¹
			A	J	E	B	C	F	T		
K-2	C-188	2.609	2.09	.69	2.13	1.25	.81	5.06	.25	.31	4.3/5.4
K-2	C-131	3.075	2.06	.78	2.63	1.50	1.06	5.50	.38	.50	7.4/8.7
K-2	C-102B	4.000	2.66	1.13	2.75	1.75	1.06	6.63	.38	.38	7.8/9.1
K-2	C-111	4.760	3.13	1.22	3.63	2.31	1.13	7.50	.38	.50	11.3/12.7
K-2	C-110	6.000	2.66	2.13	3.00	1.75	1.06	6.50	.38	.38	7.3/8.4
K-2	C-132	6.050	3.75	1.66	3.63	2.75	1.25	9.06	.50	.50	16.1/17.9

¹ Figure on the left represents weight for chain with attachment on sidebar only. Figure on the right represents weight for chain with attachment on sidebar and center block.

Dimensions shown are nominal. Obtain certified prints for design and construction.